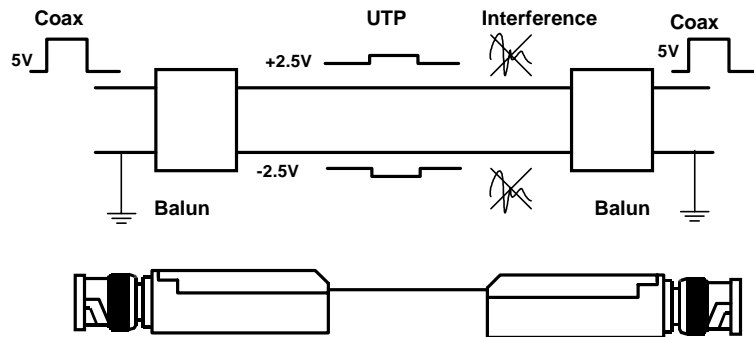


Application Note

Product: Baluns – Data, video, multimedia.
Subject: What is A Balun?
Date: Aug 19, 1999

What is a Balun?

A balun is the essential link between the CCTV equipment and the structured cabling system. Used in pairs, the CCTV balun allows CCTV video to be transmitted via UTP without visible picture interference or distortion. The word balun is short for BALanced to UNbalanced. The balun converts an unbalanced signal (coax) to a balanced one (UTP) as illustrated in the diagram below. The unbalanced signal is protected by an outer shield. The shield stops any outside interference that hits the cable.



UTP, on the other hand, does not have a shield to protect against interference. Therefore, the signal must be converted to a balanced one. The balun, used in pairs, performs this function. In essence the baluns function as noise eliminators so that any interference that impinges on the individual twisted pair wires is cancelled out by the baluns. In addition, the twists in the wire pair help to also cancel out any interference. The result being that UTP is more immune to interference and the CCTV picture quality is transmitted reliably over extended distances.

For more information, please contact NHC Customer Technical Support at 1-800-361-1965.